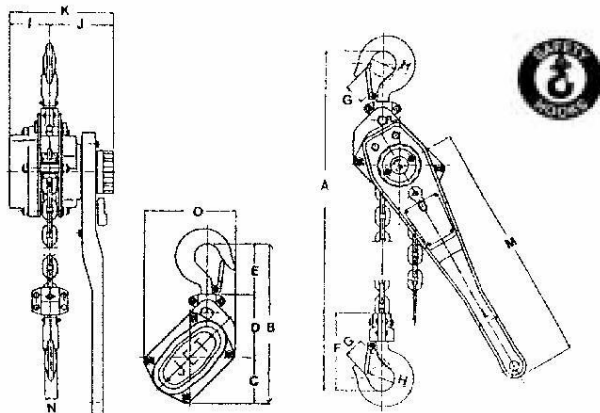


# LEVER CHAIN PULLERS



## JET #10-2 SERIES LEVER PULLERS Super Heavy Duty

- High tensile cast steel housing and handles
  - Simple design makes routine inspection or maintenance fast and easy
  - Direction of pull controlled with one flip of the self-locking thumb lever
  - Non-asbestos brake discs use a high quality low abrasion aramid fibre material for a safer and healthier environment
  - Free wheeling feature with automatic return is incorporated in the tool. The puller will return to the hoisting mode automatically when a load is applied to the tool
  - High grade low-wear chain is strong and smooth finished to prevent snagging or jamming
  - Gauge included to check for chain elongation and hook stretch
  - Top and bottom safety hooks are standard, and are designed to bend slowly to warn of overloads
  - Each unit is tested to 150% of rated capacity
  - Meets A.N.S.I. B30.21 Standards (Certificate included)
  - Please refer to page 29, General Information on JET Chain Hoists and Pullers for important directions regarding this product
- STANDARD 5' LIFT WITH SAFETY HOOKS**



Articulating top hook ensures proper positioning — Check & Compare!



Top & bottom hooks swivel 360° reducing load spin — Check & Compare!



Special design ensures chain pin is protected for safety and longer life — Check & Compare!



Offset handle protects operator — Check & Compare!



PROD. NO.	MOD. NO.	Body Type	Rated Cap'y (Tons)	Min. Dist. Between Hooks	Dist. Per Handle Pull	Std. Lift	Force Req'd To Lift Cap'y (lbs)	Lever Length	Net Wt. (lbs)	Ship Wt. (lbs)
110241	#10-2	Cast Steel	3/4	12-3/8"	1-1/16"	5'	66	10-1/2"	16	17
110242	#10-2	Cast Steel	1-1/2	14-15/16"	1-1/8"	5'	66	16-1/16"	25	27
110243	#10-2	Cast Steel	3	18-7/8"	3/4"	5'	84	16-1/16"	41	44
110244	#10-2	Cast Steel	6	23-7/8"	3/8"	5'	84	16-1/16"	66	72

### DIMENSIONS IN INCHES

PROD. NO.	Cap'y (Tons)	A	B	C	D	E	F	G	H	I	J	K	L	M	N	O
110241	3/4	12-3/8	8-9/16	2-15/32	3-1/2	2-19/32	3-63/64	61/64	1-3/8	2-3/16	4-15/64	6-27/64	1-3/16	10-1/2	37/64	4-59/64
110242	1-1/2	14-15/16	10-21/64	2-61/64	4-3/32	3-17/64	5-3/64	1-19/64	1-21/32	2-41/64	4-7/32	6-27/32	1-3/8	16-1/16	25/32	5-29/32
110243	3	18-7/8	12-3/4	3-11/16	5-3/16	3-7/8	6-5/16	1-19/32	1-31/32	3-17/32	4-1/2	8-1/32	1-3/8	16-1/16	1	7-3/8
110244	6	23-7/8	15-3/32	3-11/16	6-15/32	4-15/16	10-21/32	1-27/32	2-17/32	3-17/32	4-1/2	8-1/32	1-3/8	16-1/16	1-3/8	10-21/32

**NOTE:** Custom lifts are available in any length desired.